

RETICLES CTR-2/3™ • DDR-2™ • FCR-1™



Nightforce is proud to be a long-time supporter of the U.S. F-Class rifle teams. We are the official riflescope of the F-Open and F-T/R national teams.

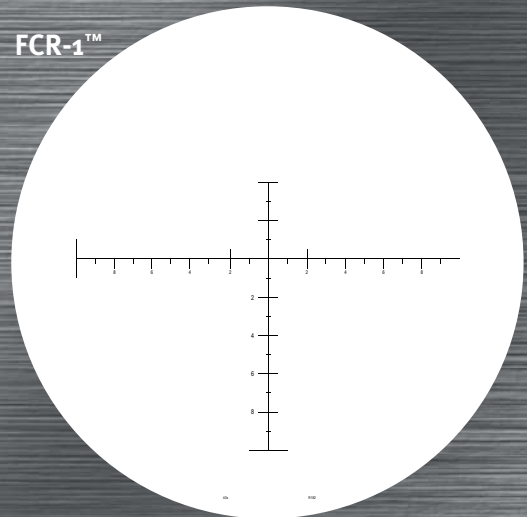
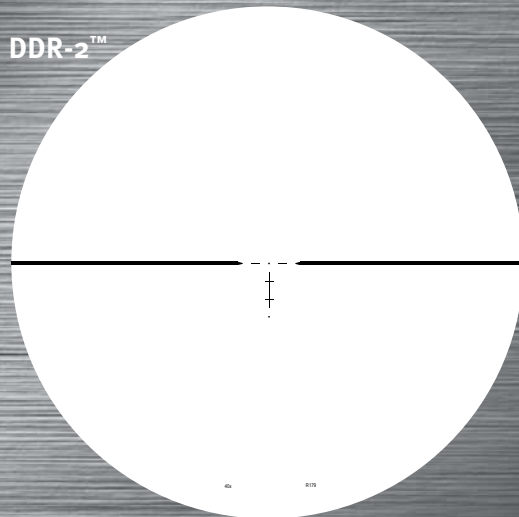
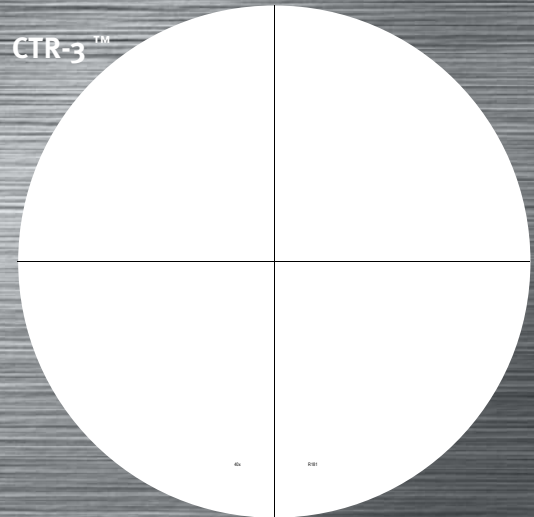
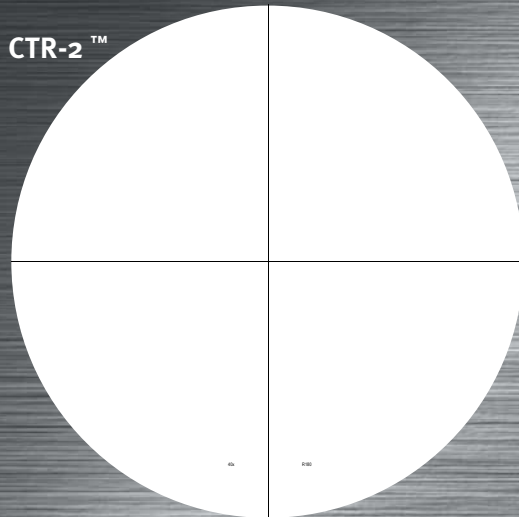
Available in:
Nightforce Competition™ 15-55 x 42 (all)
Competition™ Fixed 42 x 44 (CTR-2, CTR-3 only)

Designed for maximum precision at extreme ranges
Extremely fine subtensions will not obscure target

Applications:
Competitive/target shooting



NIGHTFORCE®



Every four years, Irish and American shooters gather to maintain a tradition that goes back over 100 years. The two national teams got together in 2015 to compete for the Creedmoor Cup. The US team led a victorious campaign at the Midlands National Shooting Centre in Tullamore, Ireland, and the overwhelming riflescope of choice was Nightforce.

Jade Delcambre shot a new 1000-yard F/TR NRA national record with a score of 200-13X during the 2015 F-Class National Championships, using a Nightforce Competition™ 15-55 x 52.



RETICLES

These non-illuminated, second focal plane reticles were specifically created to maximize the remarkable potential and superb optical performance of our Competition™ family of riflescopes. The competitive and serious target shooter will enjoy uncluttered views and ultimate precision at even the longest ranges.

Please note: Nightforce Competition™ 15-55 x 42 riflescopes are offered with all reticles shown. Nightforce Competition™ Fixed 42 x 44 riflescopes are offered with CTR-2 and CTR-3 reticles only.

CTR-2™ CTR-3™

Extremely fine .016 MOA crosshairs
CTR-2 features a .095 MOA center dot
CTR-3 has no center dot

Reticle subtensions in MOA: CTR-2, CTR-3		
	15-55x (@40x)	Fixed 42x (@42x)
A	28.8	32.89
B	0.016	0.016
C	0.095	0.090 CTR-2 only

FCR-1™

Extremely fine .016 MOA crosshairs with 1 MOA markings along the vertical and horizontal lines.

Reticle subtensions in MOA: FCR-1™ (@40x)	
A	20
B	10
C	0.016
D	1.375
E	0.340
F	0.6875
G	2.75

DDR-2™

A double-dot reticle with multiple holdover points and a .095 MOA center dot.

Reticle subtensions in MOA: DDR-2™ (@40x)			
A	28	H	1.0
B	12.9	I	2.0
C	0.016	J	2.5
D	3.0	K	1.5
E	0.95	L	0.172
F	0.5	M	0.5
G	0.5		

