

RETICLEMOAR™

First Focal Plane



NIGHTFORCE®

Available in:

ATACR™ 4-16x42/50 F1, 5-25x56 F1

B.E.A.S.T.™ 5-25x56 F1

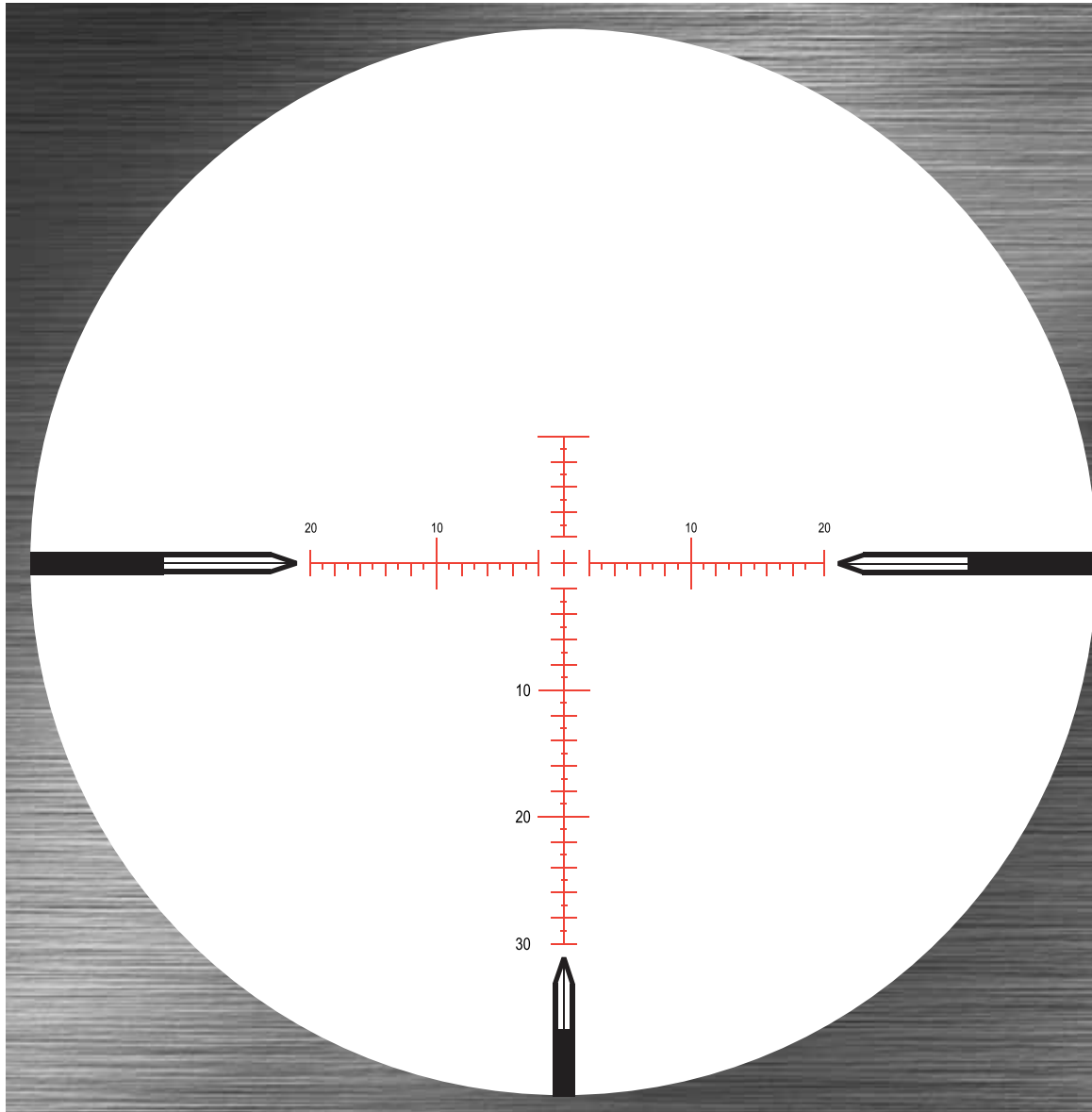
SHV™ 4-14x50 F1

Extremely fast and easy to view

Floating center crosshair provides precise aiming point

One-MOA elevation and windage spacings

A major advancement in precision long-range shooting



First focal plane MOAR™ reticles are offered with either a 20 MOA or 30 MOA scale below center.

20 MOA scale: ATACR™ 5-25x56 F1, B.E.A.S.T.™ 5-25x56 F1

30 MOA scale: ATACR™ 4-16x42 F1, SHV™ 4-14x50 F1 (Center Illumination Only)

80 MOA scale: ATACR™ 4-16x50 F1

Applications:

- Field tactical
- Varmint hunting
- Long-range hunting
- Tactical competition
- All-around use

RETICLEMOAR™

First Focal Plane

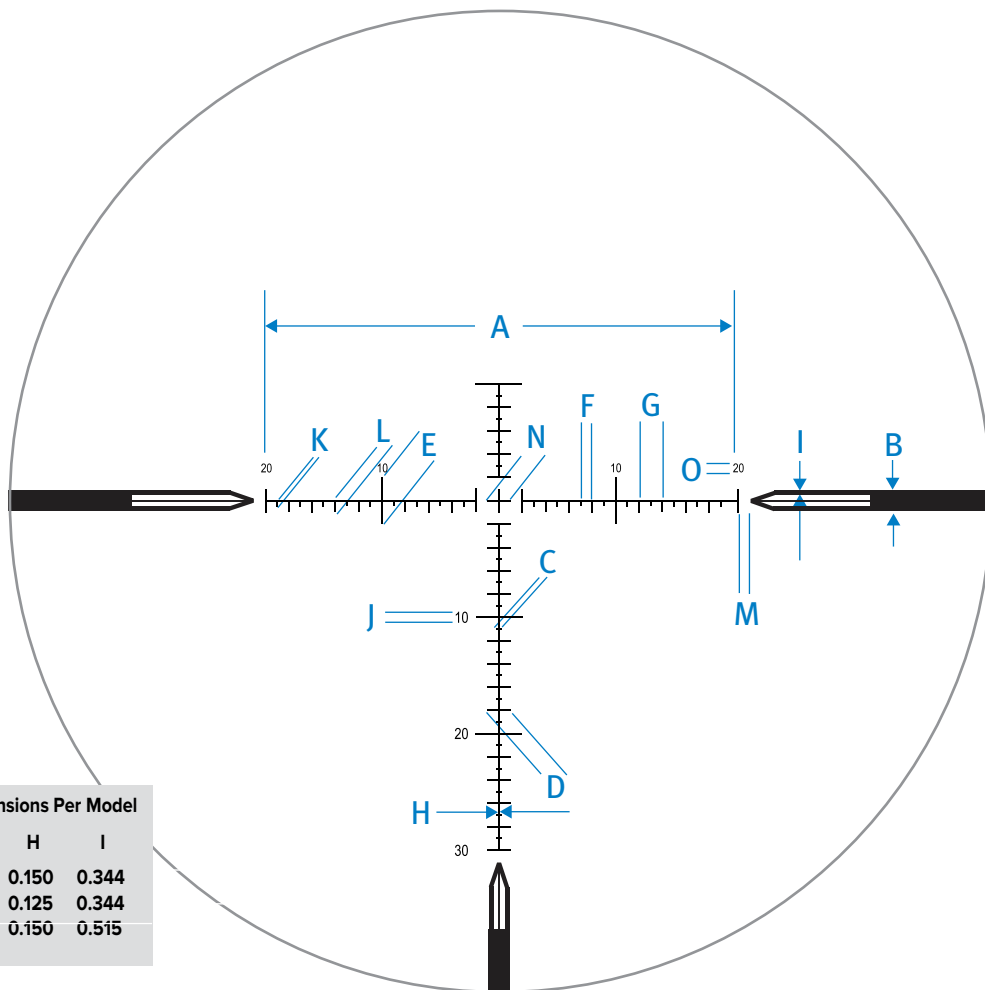
The Nightforce MOAR™ reticle is a major advancement in precision shooting. A floating center crosshair two MOA wide and two MOA tall provides a precise aiming point—especially on smaller targets at longer ranges. One-MOA elevation and windage spacings provide for more accurate rangefinding and hold-offs compared to ordinary reticles with coarser markings.

The Nightforce MOAR™ has thicker line subtensions than our traditional reticles, and is marked with 10, 20 and 30 MOA elevation indicators (10 and 20 MOA windage indicators), making it extremely fast and easy to view under field conditions.

The MOAR™ design is more intuitive, easier to see in low light and more visible against dark backgrounds and in shadows than other MOA reticles. Shooters will also find the 3, 6 and 9 o'clock posts to be an excellent asset for greater speed and target acquisition.

The MOAR™ has established new levels of precision and ease of use for the long-range shooter.

- Improved visibility in low light
- Suitable for a wide range of shooting disciplines
- Illumination standard



Reticle subtensions (All Models)

A	40 MOA
B	1.7188 MOA
C	0.5 MOA
D	2.0 MOA
E	4.0 MOA
F	1.0 MOA
G	2.0 MOA
H	See Chart
I	See Chart
J	1.0 MOA
K	0.5 MOA
L	1.0 MOA
M	1.0 MOA
N	2.0 MOA
O	0.8 MOA

Reticle Subtensions Per Model

	H	I
ATACR 16x	0.150	0.344
ATACR 25x	0.125	0.344
SHV 14x	0.150	0.515

The elevation and windage marks can be used for ranging objects when the size of the target is known. Bracket the target from top to bottom or side to side within the marks. Distance to target can then be determined using this formula:

$\text{Target size in inches} \div \text{Image size (moa)} \times 95.5 = \text{range in yards.}$

For field expedient ranging inside of 500 yards, a constant of 100 can be used in place of 95.5.

Image above shows the MOAR™ reticle with a 30 MOA scale below the centerline.



336 Hazen Lane • Orofino, ID 83544 • 208.476.9814

www.nightforceoptics.com

© Nightforce Optics 2017 6/20