

# RETICLEMOAR™

## Second Focal Plane



# NIGHTFORCE®

### Available in:

ATACR™ 5-25x56

Nightforce NXST™ 10x, 15x, 22x, 32x

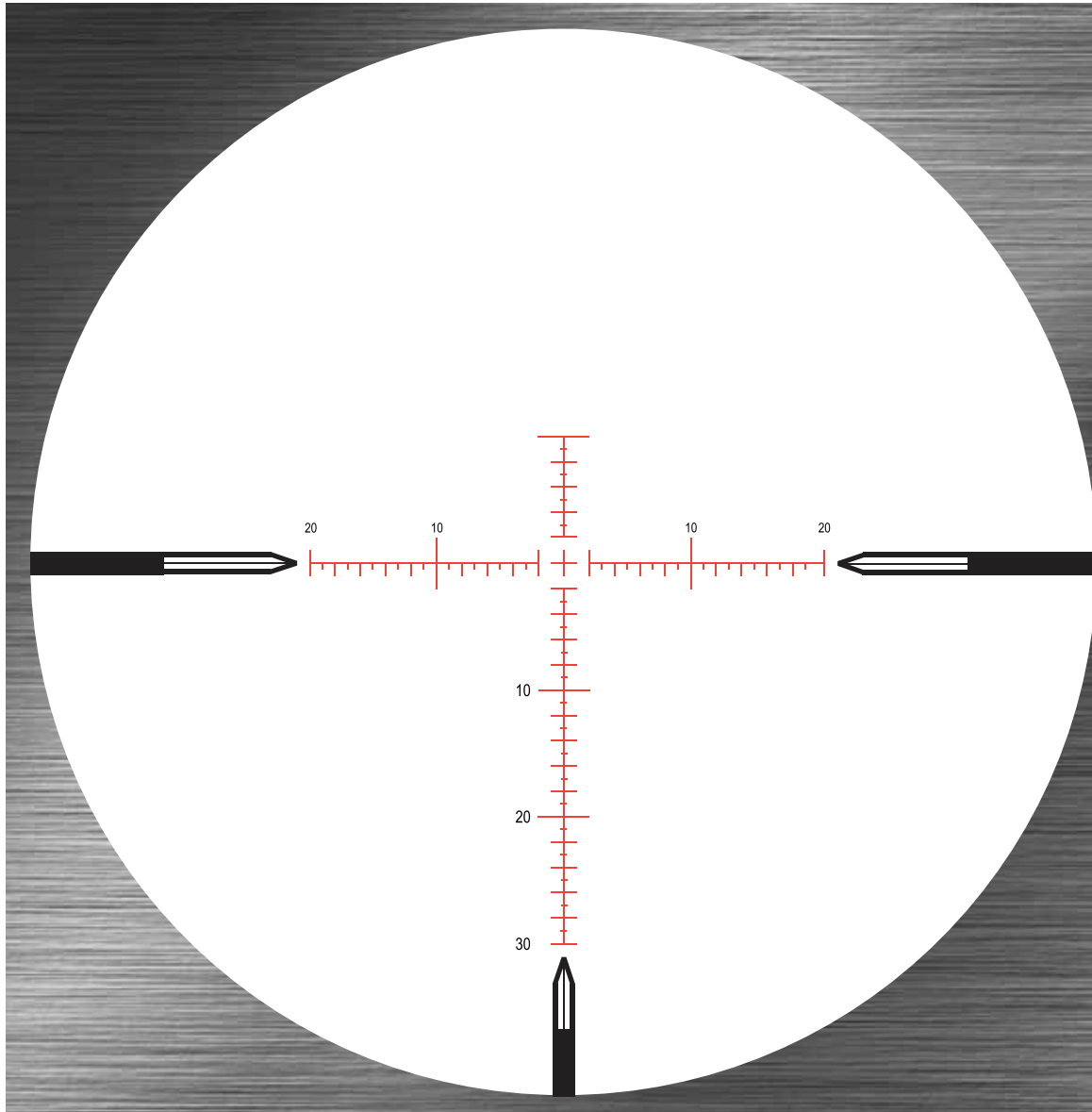
SHV™ 10x, 14x, 20x

Extremely fast and easy to view

Floating center crosshair provides precise aiming point

One-MOA elevation and windage spacings

A major advancement in precision long-range shooting



Second focal plane MOAR™ reticles are offered with either a 20 MOA or 30 MOA scale below center.

20 MOA scale: NXS 22x, 32x; SHV 20x; ATACR 25x

30 MOA scale: NXS 10x, 15x; SHV 10x, 14x

### Applications:

- Field tactical
- Varmint hunting
- Long-range hunting
- Tactical competition
- All-around use

# RETICLEMOAR™

## Second Focal Plane

**The Nightforce MOAR™ reticle is a major advancement in precision shooting.** A floating center crosshair two MOA wide and two MOA tall provides a precise aiming point—especially on smaller targets at longer ranges. One-MOA elevation and windage spacings provide for more accurate rangefinding and hold-offs compared to ordinary reticles with coarser markings.

The Nightforce MOAR™ has thicker line subtensions than our traditional reticles, and is marked with 10, 20 and 30 MOA elevation indicators (10 and 20 MOA windage indicators), making it extremely fast and easy to view under field conditions.

The MOAR™ design is more intuitive, easier to see in low light and more visible against dark backgrounds and in shadows than other MOA reticles. Shooters will also find the 3, 6 and 9 o'clock posts to be an excellent asset for greater speed and target acquisition.

The MOAR™ has established new levels of precision and ease of use for the long-range shooter.

- Improved visibility in low light
- Suitable for a wide range of shooting disciplines
- Illumination standard on most models

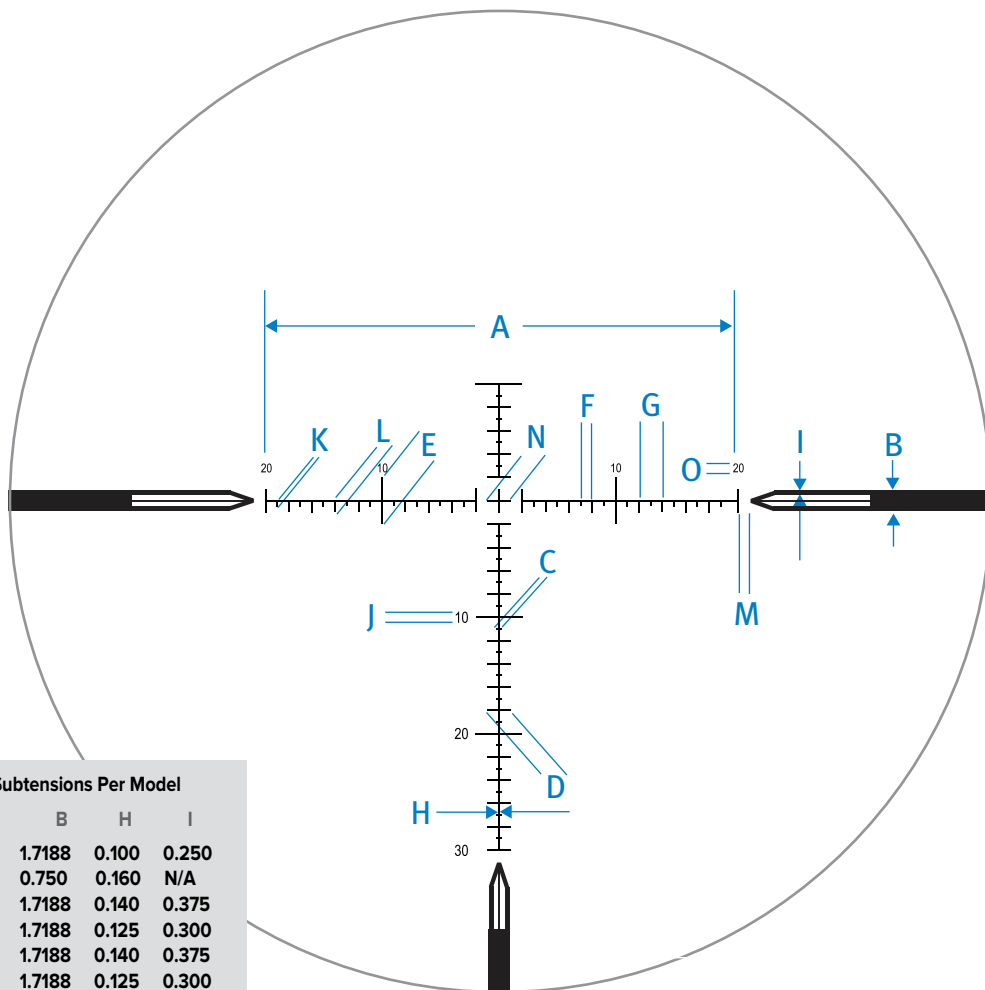


Image above shows the MOAR™ reticle used in 3.5-15x NXS riflescopes. It has 30 MOA below the centerline.

Target size in inches ÷ Image size (moa) x 95.5 = range in yards.  
For field expedient ranging inside of 500 yards, a constant of 100 can be used in place of 95.5.

Please note that accurate rangefinding with the MOAR™ reticle can only be accomplished at the power settings shown above.

The elevation and windage marks can be used for ranging objects when the size of the target is known. Bracket the target from top to bottom or side to side within the marks. Distance to target can then be determined using this formula:

Reticle subtensions		
A	40 MOA	All versions
B	See Chart	
C	0.5 MOA	
D	2.0 MOA	
E	4.0 MOA	
F	1.0 MOA	
G	2.0 MOA	
H	See Chart	
I	See Chart	
J	1.0 MOA	
K	0.5 MOA	
L	1.0 MOA	
M	1.0 MOA	
N	2.0 MOA	
O	0.8 MOA	

	Reticle Subtensions Per Model		
	B	H	I
ATACR 25x	1.7188	0.100	0.250
NXS 10x	0.750	0.160	N/A
NXS 15x	1.7188	0.140	0.375
NXS 22x	1.7188	0.125	0.300
SHV 14x	1.7188	0.140	0.375
SHV 20x	1.7188	0.125	0.300

Riflescope	Power setting
SHV/ATACR All	Maximum
NXS 32x	22x*
NXS 10x, 15x, 22x	Maximum

*Signified by an "R" on power zoom ring*



336 Hazen Lane • Orofino, ID 83544 • 208.476.9814

www.nightforceoptics.com

© Nightforce Optics, Inc. 2016 1/13